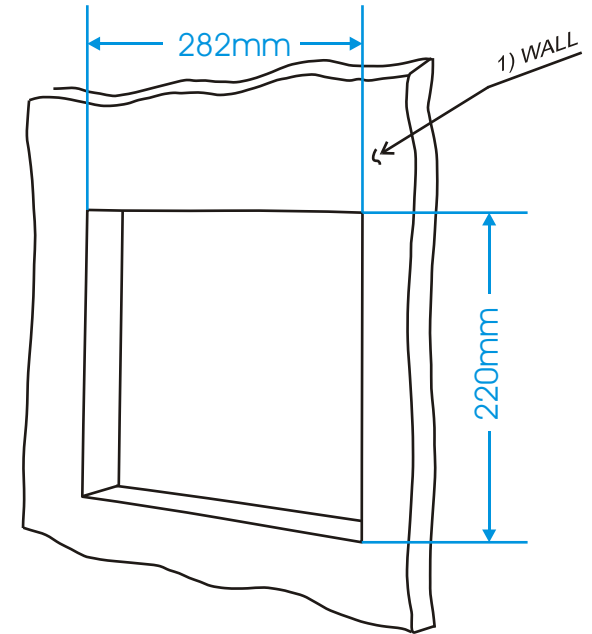
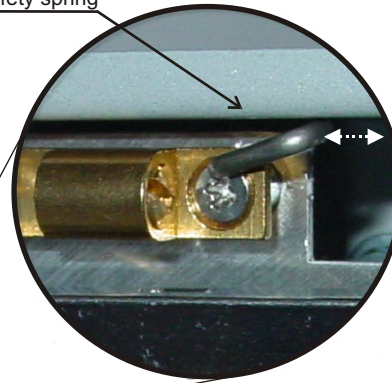


MOUNTING INSTRUCTIONS

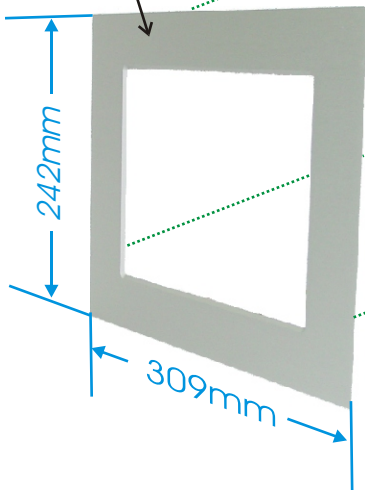
- 1) WALL CUT-OUT PER TEMPLATE. HIGH: SET PANEL AT EYES LEVEL
- 2) REMOVE KNOCKOUT
- 3) CUT OFF CIRCUIT BEAKER
- 4) INSERT THE BACK BOX INTO THE CUT-OUT
- 5) SECURE BACK BOX TO THE WALL SURFACE WITH SCREWS AND/OR GRIPS
- 6) CONNECT ALL WIRES TO THE UNIT
- 7) INSERT THE LOWER PART OF THE UNIT TO THE BOX - BEHIND THE PINS
- 8) TWIST AND PUSH THE UPPER PART UNTIL IT THE SAFETY SPRING SNAPS TO UPPER PART OF THE UNIT
- 9) SECURE UNIT WITH M4x20mm SCREWS (PROVIDED 4x)
- 10) SNAP ON THE BEZEL TO COMPLETE THE ASSEMBLY
- 11) POWER THE UNIT

8) Safety spring



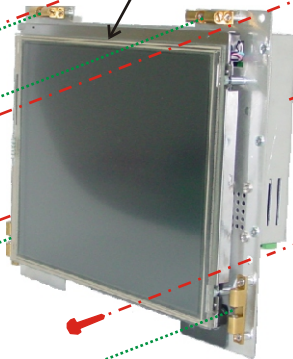
9) M4x20mm SCREW (PROVIDED 4x)

10) BEZEL

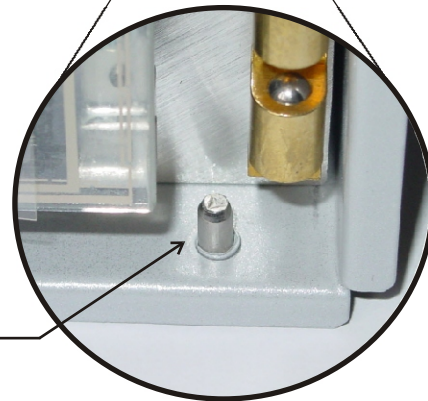


7) MTS2104 UNIT

4) BACK BOX

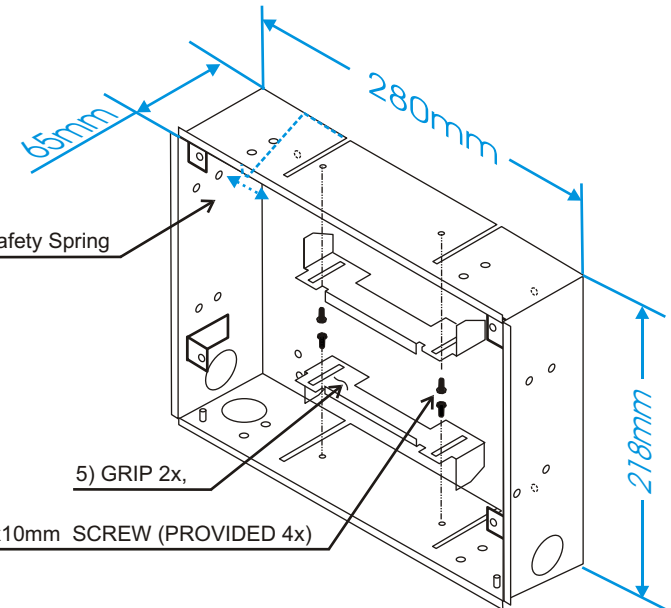


2) Knockout



7) LOWER PART BEHIND THE PINS

8) Safety Spring



5) GRIP 2x,

5) M4x10mm SCREW (PROVIDED 4x)